

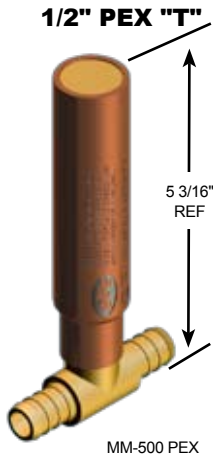


**Precision Plumbing Products**  
*"Specify with Confidence - Install with Pride"*

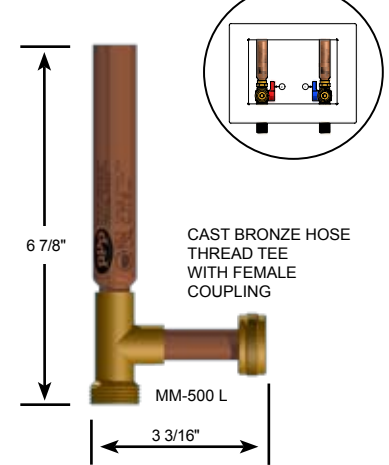
**LOW LEAD**

**MINI - MAX  
 "AA" WATER HAMMER ARRESTOR**

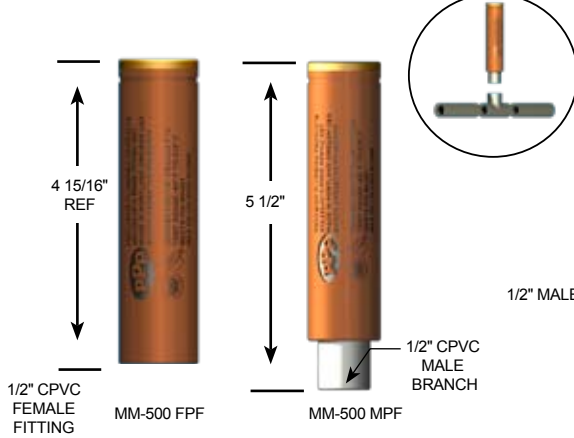
www.pppinc.net



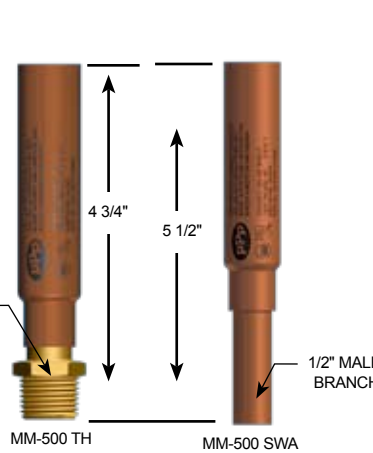
**LAUNDRY MINI**



**1/2" CPVC FITTING**



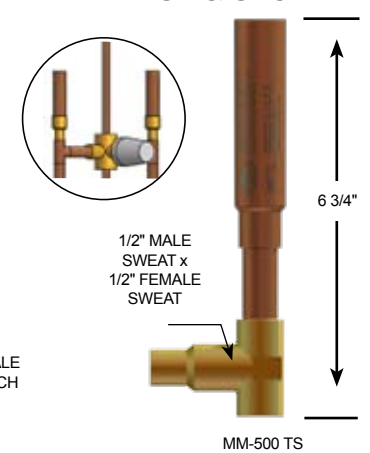
**1/2" MIP MINI**



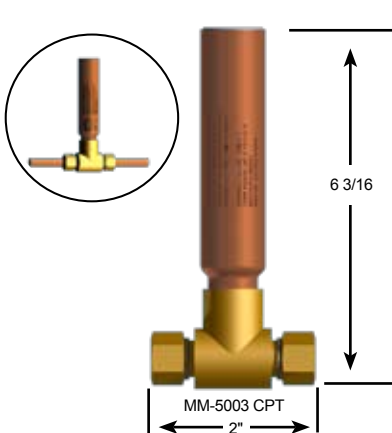
**1/2" SWEAT MINI**



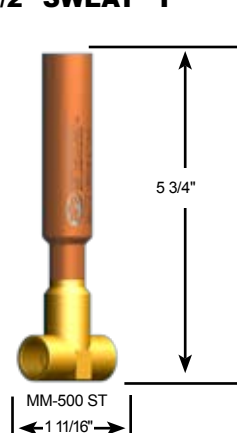
**TUB & SHOWER MINI**



**3/8" COMPRESSION "T"**



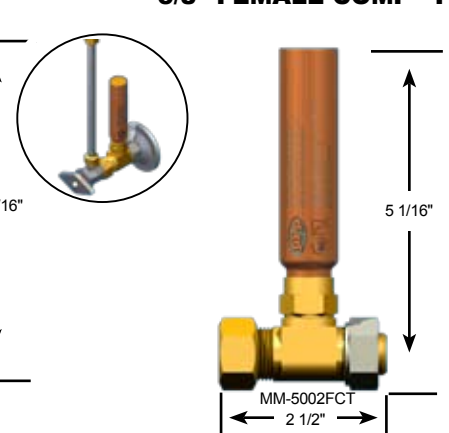
**1/2" SWEAT "T"**



**3/8" FEMALE COMP "T"**



**5/8" FEMALE COMP "T"**



**SPECIFICATIONS**

**MAINTENANCE:** Maintenance free – the piston is the only moving part.

**TEMPERATURE RANGE:** -40°F to + 212°F (-4.4°C to + 100°C)

**CONSTRUCTION:** Barrel-fabricated of type “L” hard drawn copper.

**Cap:** Machined of free turning brass.

**Piston:** Machined of C69300 Eco brass, Polycarbonate Dow Calibre 2061-15 MFR.

**Seals:** “O”rings: EPDM.

**Seal Lubricant:** Dow-Corning Silicone Compound #111, FDA listed for use in potable water systems.

**OPERATING PRESSURE:** Designed to operate on all domestic and commercial systems. Normal operating pressure 35 to 125 P.S.I.G. Max Spike pressure 250 P.S.I.G.

**LAUNDRY OR ICE MAKER WITH ARRESTORS**



MM-500 PIMB  
1/2" NPT x 1/4" COMP.

MM-500 MIMB  
1/2" NPT x 1/4" COMP.

MM-500 PLBFR  
1/2" NPT x 3/4" HOSE

MM-500 PIMBFR  
1/2" NPT x 1/4" COMP.

MM-500 PLB  
1/2" NPT x 3/4" HOSE

MM-500 MLB  
1/2" NPT x 3/4" HOSE

P/N	DESCRIPTION	DIMENSIONS:
MM-500 MIMB	METAL ICE MAKER BOX	5-3/4"W x 5-1/4"H x 2-1/2"D
MM-500 MLB	METAL LAUNDRY BOX	8-1/4"W x 6"H x 3-1/2"D
MM-500 PIMB	PLASTIC ICE MAKER BOX	5-1/4"W x 5-1/4"H x 2-1/2"D
MM-500 PLB	PLASTIC LAUNDRY BOX	7-3/4"W x 6-3/4"H x 3"D
MM-500 PIMBFR	PLASTIC ICE MAKER BOX (Fire Rated)	3-7/8"W x 5-11/16"H x 2-13/16"D
MM-500 PLBFR	PLASTIC LAUNDRY BOX (Fire Rated)	8-3/16"W x 7-1/16"H x 3-5/16"D

Specify drain position when ordering laundry box assemblies.

**PROJECT SUBMITTAL**

Project: \_\_\_\_\_

Contractor: \_\_\_\_\_

Engineer: \_\_\_\_\_

Date Submitted: \_\_\_\_\_

Prepared By: \_\_\_\_\_



**Precision Plumbing Products**

Division of JL Industries, Inc.

Airport Business Center  
6807 NE 79th Court, Suite E  
Portland, Oregon 97218

T (503) 256-4010

F (503) 253-8165

www.pppinc.net



Recommended by the Ohio Plumbing Advisory Board



Patent No 3,633,627

Approved by the Wisconsin Department of Industry Labor and Human Relations